

SOLAR POWERED ARROWBOARD TRAILERS

FIFTEEN AND TWENTY FIVE LIGHT MODELS

The Arrowboard Trailer designed specifically for the utility industry. Includes a speedy rig up and rig down design that handles the punishment of repeated daily use for traffic control at multiple locations.



SOLAR POWERED ARROWBOARD TRAILERS

- 3500 LB AXLE
- E Z – Lube Axle
- ST 205 - 75 D 15 Tires
- Lunette Eye or Ball Hitch Available
- Cole Hersee Four Prong Truck Hook-Up.
- Four Stabilizers / Outriggers
- Dolly Landing Jack

SOLAR POWERED ARROWBOARD TRAILERS

STANDARD FEATURES: QUALITY CONSTRUCTION



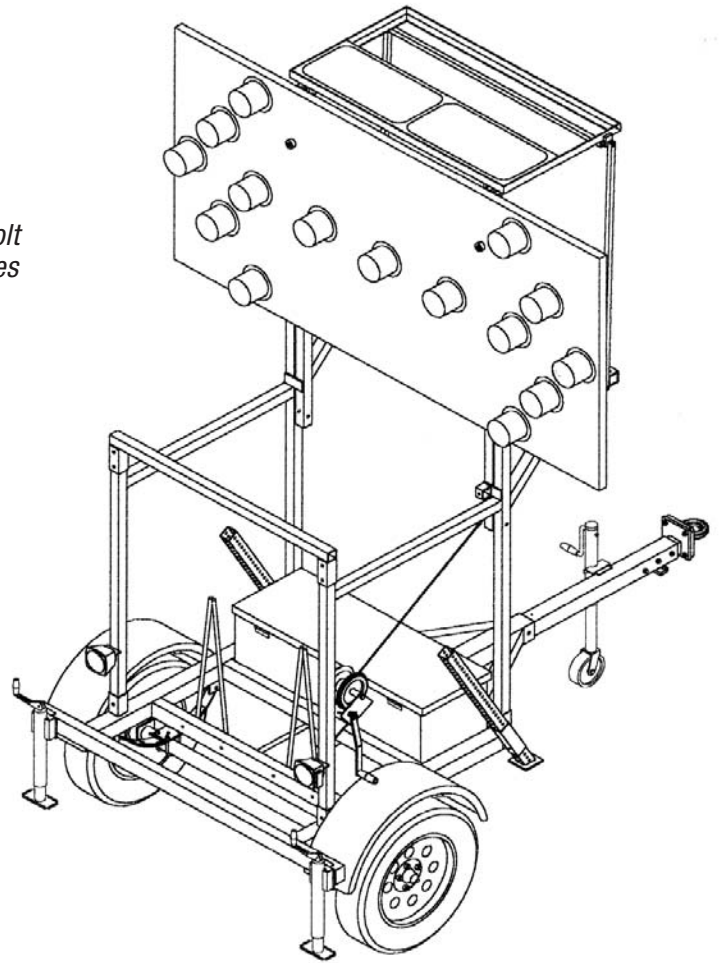
View of four, six volt deep cycle batteries

Standard Features:

- Virtually Maintenance Free Design.
- Quiet Operation - No Generator.
- Heavy-Duty Frame Construction.
- Trailer Balanced Weight Distribution for Towing and Unhitched Positioning.
- Integrated Solar Regulator.
- Low Battery Warning Alarm.
- Battery Saver Shut-Down.
- Automatic Day / Night Mode.
- Flashing Arrow Modes: Left, Right, Double, Bar and Four Corner Caution.
- 60 Watt Solar Panels.
- Four, 6-volt Deep Cycle Batteries.



View of optional in frame sign storage



Selected Options:

- Battery Charger with Cord Reel.
- Remote Battery Condition Indicator.
- Cone Holders (Up to 40 Cones Capacity).
- Reflective Rear Panel.
- Brakes.
- Wheel Chocks.
- Sign Storage for Hard and Roll-up Displays.
- Removable Tow Bar.
- Utility "Spec" Tow Vehicle Connections.
- 25-light Sequential Display.